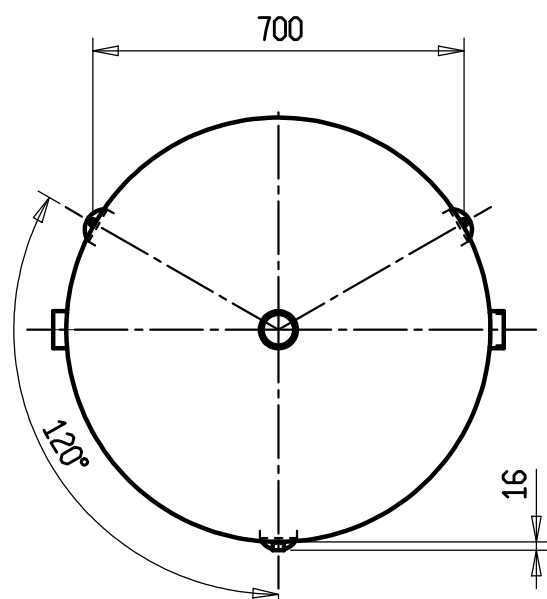



**COMPLETO DI :  
KIT = 8222916**

WORKING PRESSURE = 11BAR

IL SERBATOIO DEVE ESSERE COSTRUITO  
COME PRESCRITTO DALLE VIGENTI  
NORMATIVE CE

INSERIRE IL CODICE DEL SERBATOIO SULLA TARGHETTA



N°		MODIFY DESCRIPTION		DATE	SIGN.	MATERIAL
DRAWN		DATE		DIMENSION WITHOUT TOLLERANCE INDICATION		SCALE
SIGN. MOLINARI		2014/12/10		UNI ISO 22768-1-		1:10
		VALID FOR		DRAWING DESCRIPTION		
				S_900V CE 11B 2"(4X2")+KIT		
<small>This drawing is propriety of NU AIR Compressors and Tools S.p.A. Hand over or reproduction, partial as well, is forbidden at any level. Each abuse will be legally prosecuted</small>				DRW.N° 87RY010		MODIF. PAGE